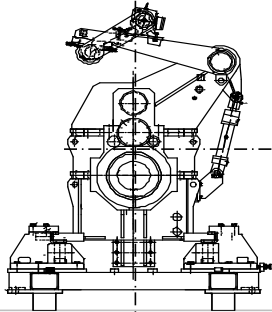
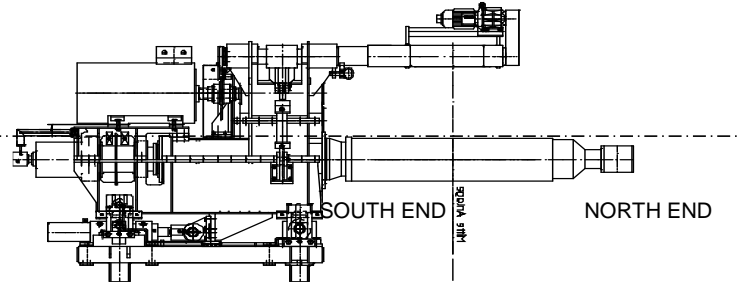


**No.1 Uncoiler- 2140**

As-Set Final for Grout

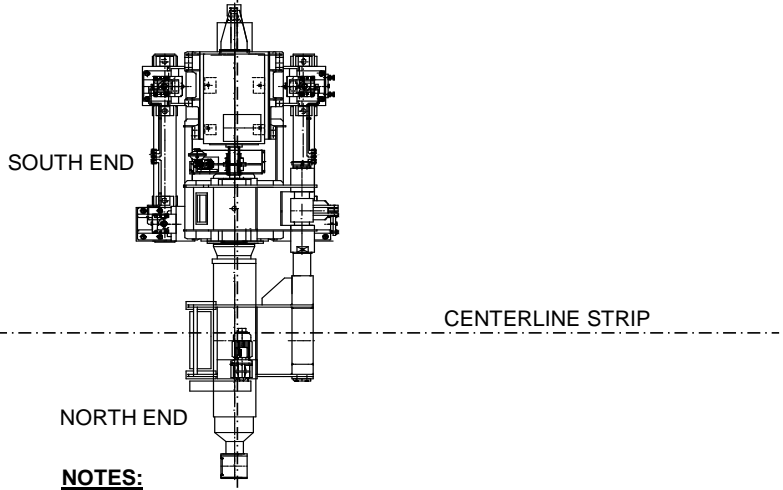


PLAN CL REEL ELEV = 1400



SOUTH END

NORTH END



SOUTH END

CENTERLINE STRIP

NORTH END

**NOTES:**

1. This report shows data gathered from a Falk PLI survey performed on 9/26/2015.
2. The elevations shown are all relative to bolt set by others in face of column as being 1000mm above floor line.
3. Arrows indicate location relative to plan. To correct, move equipment opposite direction of arrow.
- 4.. All units are in millimeters unless otherwise noted.

ANDRITZ REP. \_\_\_\_\_

FLUOR REP. \_\_\_\_\_

FALK-PLI REP. *[Signature]*